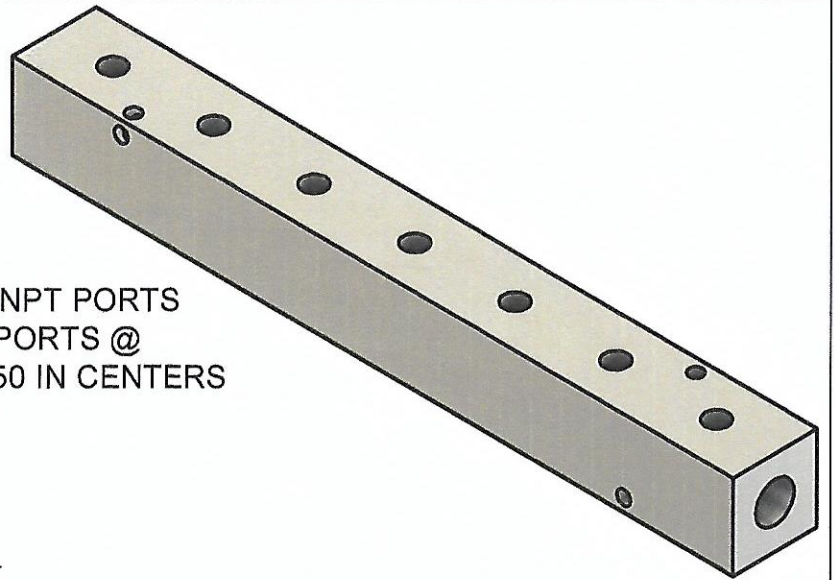
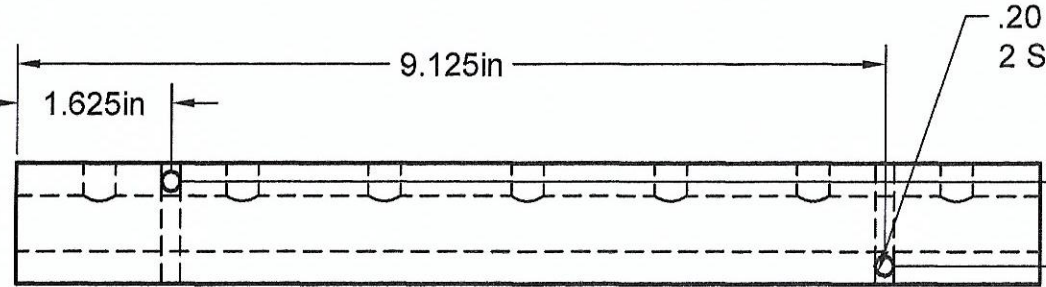
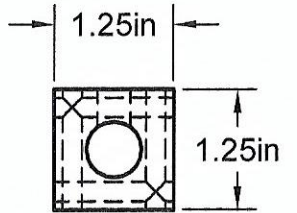


1/8" NPT PORTS
7 PORTS @
1.50 IN CENTERS



.625in
3/8" NPT INLET
BOTH ENDS



.20 DIA MOUNTING HOLES
2 SIDES

Part Number: MS0707

A1 MANIFOLD SUPPLY
www.a1manifolds.com
 Email: sales@a1manifolds.com

Manifold Material: 6061-T6 Aluminum