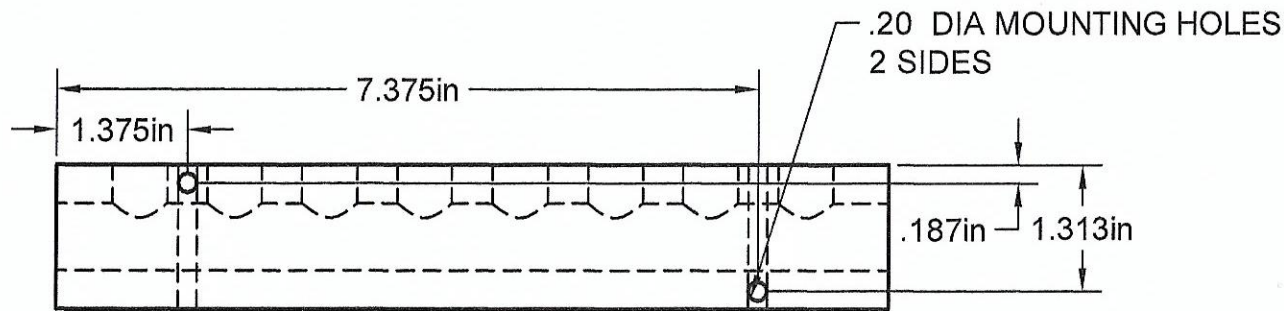
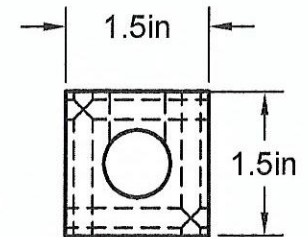
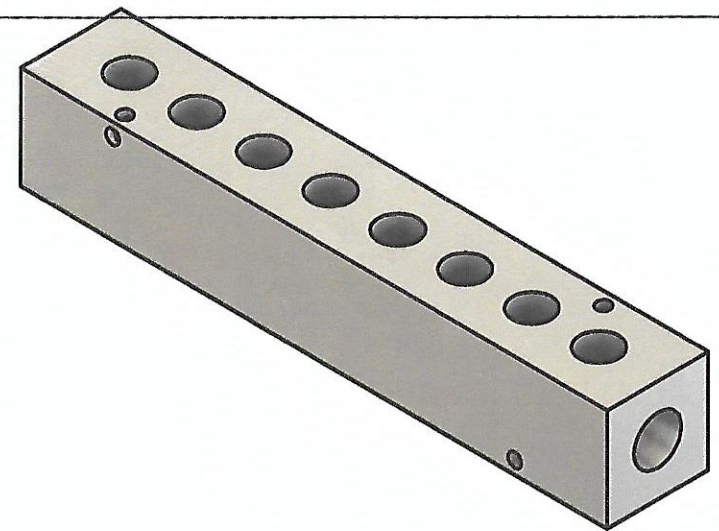


$\frac{3}{8}$ " NPT PORTS
8 PORTS @
1 IN CENTERS

.75in

$\frac{1}{2}$ " NPT INLET
BOTH ENDS



Manifold Material: 6061-T6 Aluminum

Part Number: MS0508

**MANIFOLD
SUPPLY**
www.a1manifolds.com
Email: sales@a1manifolds.com